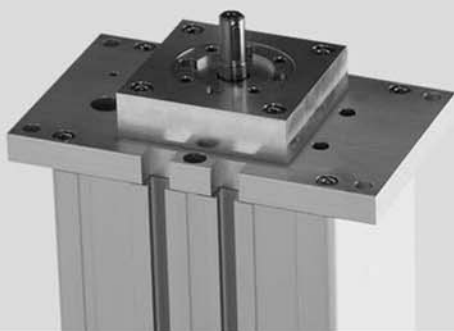


# New

**The new MovoZ Z2 offer:**

- easy installation
- speed up to 1 m/s
- load up to 7500 N
- stroke up to 1500 mm
- load torque up to 700 Nm
- low cost telescopic movement
- three different ball screw leads
- compatibility with MovoZ Z3 options
- adjustable end of stroke limit switches

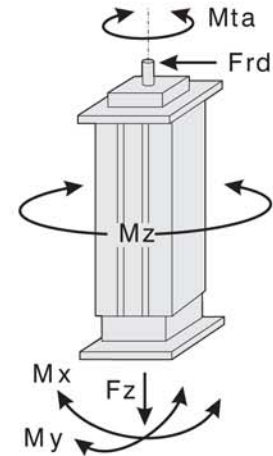


## MovoZ Z2 Telescopic Lifting Unit

## Technical data

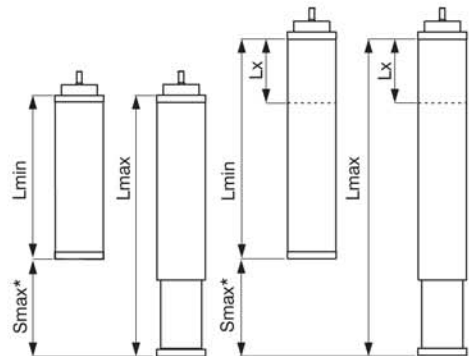
Parameter	MGZ2K2510	MGZ2K2525	MGZ2K3220
Max. stroke Smax (mm)	1500	1500	1500
Max. length Lmax (mm)	4000	4000	4000
Max. speed (m/s)	0,5	1,0	1,0
Max. input speed (rpm)	3000	2400	3000
Ambient temperature (°C)	-20 to 70	-20 to 70	-20 to 70
Weight (kg)	9,5 + 0,25 × Lmin	9,5 + 0,25 × Lmin	13 + 0,28 × Lmin
Repeatability (±mm)	0,1	0,1	0,1
Screw lead (mm/rev.)	10	25	20
Screw diameter (mm)	25	25	32
Fz max. (N)	5000	5000	7500
Mx/My max. (Nm)	700	700	700
Mz max. (Nm)	330	330 </td <td>330</td>	330
Mta max. (Nm)	45	45	93
Frd max. (N)	1000	1000	1200

## Definition of forces



## Definition of stroke

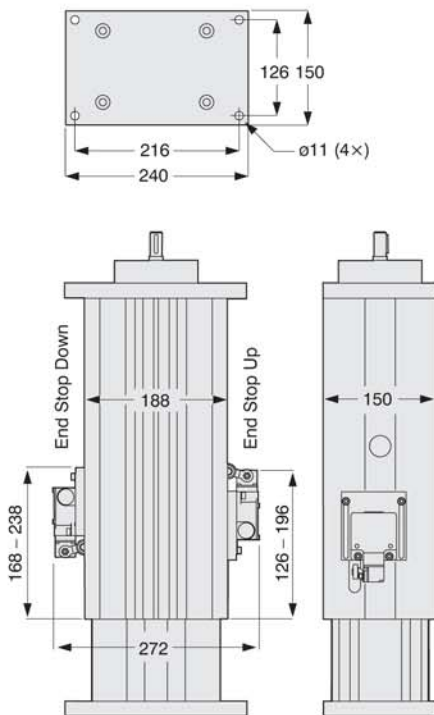
Standard version    Elongated version



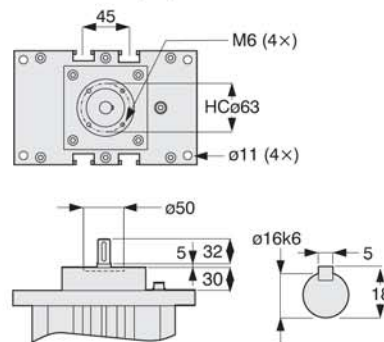
\* Smax = maximum stroke between the mechanical stops of the unit (theoretical stroke). Safe stroke is normally 100 mm shorter (practical stroke).

## Dimensions

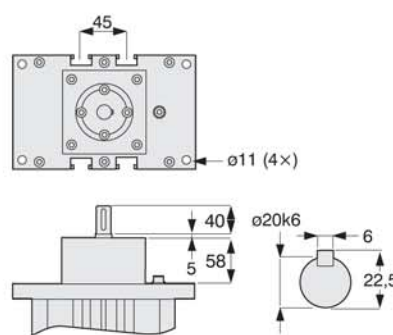
### MGZ2K



### MGZ2K2510(25)



### MGZ2K3220



## Ordering length in centimetres

Min. retracted length	Max. extended length
$L_{min} = S_{max} + 38 + L_x^*$	$L_{max} = L_{min} + S_{max}$

\* Lx = optional extra length which makes the unit longer but does not add to the stroke.

## Ordering key

Unit type	Linear unit	M
Guide type	Sliding guide	G
Size	Z2	Z2
Screw/nut type	Ball screw/ball nut	K
Screw diameter/lead	25/10 mm 25/25 mm 32/20 mm	2510 2525 3220
Lead tolerance class	T7 (only for 3220) T9 (only for 2510/ 2525)	7 9
Length L min.	Min. retracted length (cm)	...
Length L max.	Max. extended length (cm)	...

Key example: 

M	G	Z2	K	2510	9	087	157
---	---	----	---	------	---	-----	-----